

Service description

Product: SP200	Service description no: 3112-S013	Ver: 2
-------------------	---	-----------

Symptom

The double gearbox replacement. The new gearbox does not fit.

Caused by

The hole pattern in the new gearbox does not match the hole pattern on the tractor attachment.

Solution

Follow the instructions below before the replacement to a new gearbox.

The plate (position 7) is an adapter plate to adapt the hole pattern on the new gearbox to the hole pattern on the pump mount.

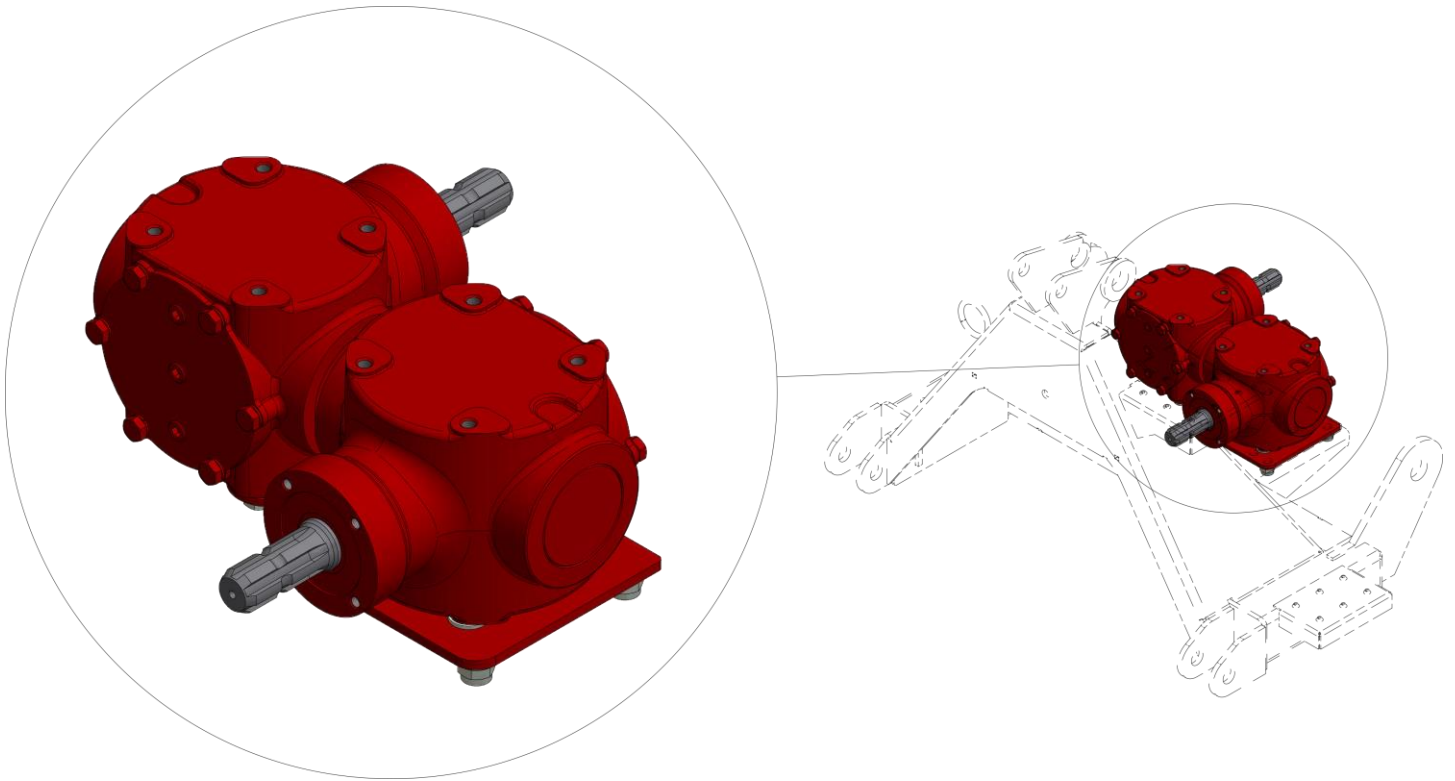


Figure 1

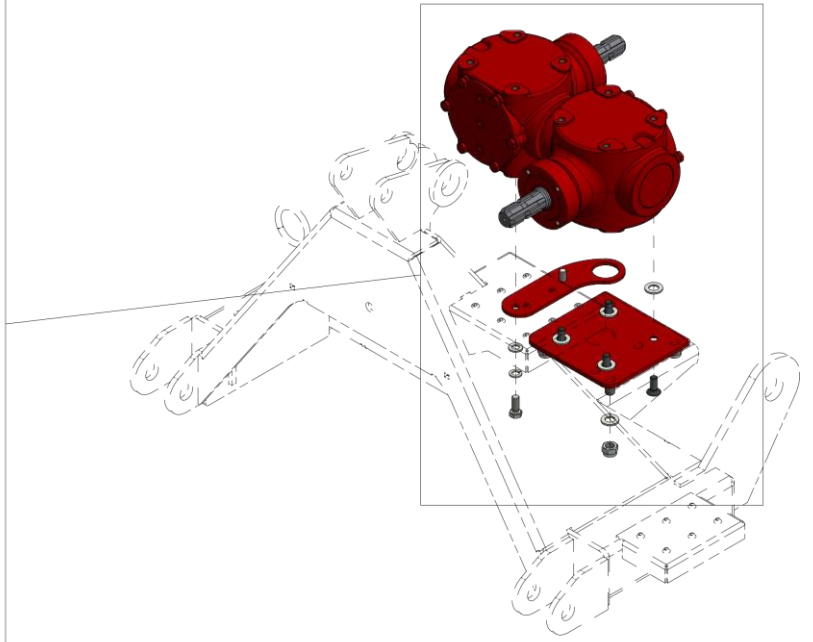
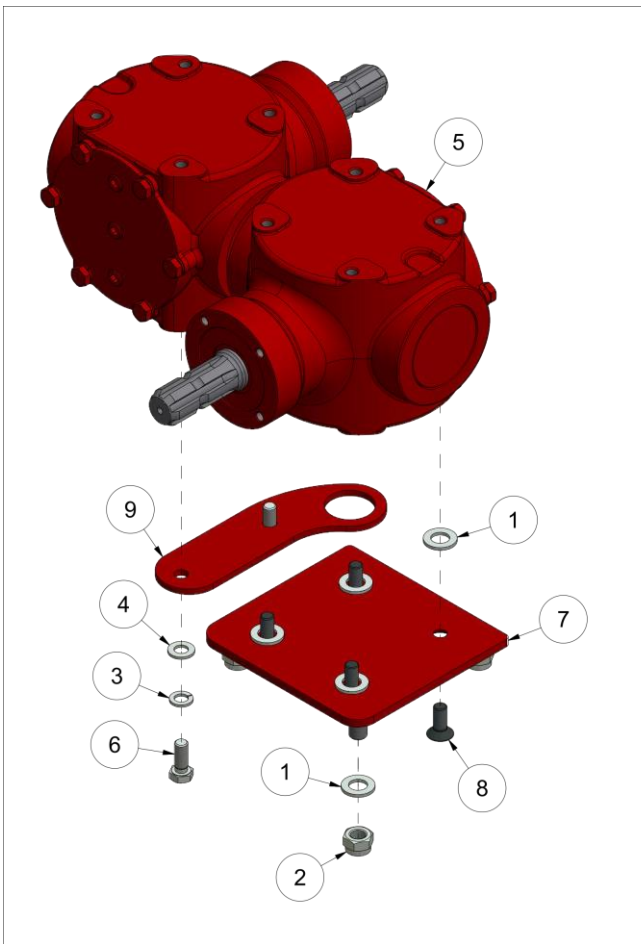


Figure 2

Pos	No	Article no	Designation
1	8	2531078	Washer M16 ElZn DIN 125
2	4	2483613	Locking nut M16 ElZn DIN 985
3	2	2534069	Spring washer M12 ElZn DIN 127
4	2	2531069	Washer M12 ElZn DIN 125
5	1	2961188	Gear box 1:1 2x90°
6	2	2422348	Hexagon screw M12x30 ElZn 8.8 DIN 933
7	1	13127049	Gearbox replacement fixing plate SP200
8	4	2472348	Countersunk head screw M12x30 St 10.9 DIN 7991
9	1	13127043	Gearbox support SP200 rebuild

Figure 3 Parts list